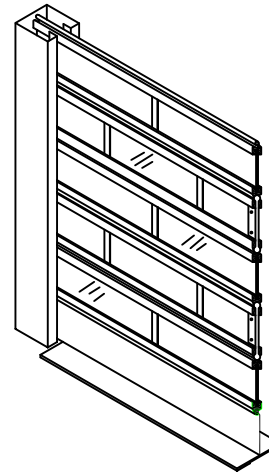
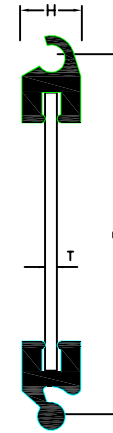


SECTION A-A



ISOMETRIC VIEW

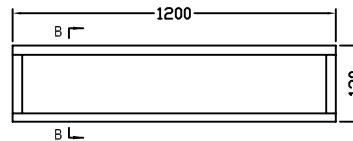


P = 120  
H = 15  
T = 3

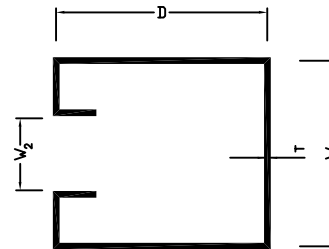
SECTION B-B

ELEVATION

- |                      |                 |
|----------------------|-----------------|
| 1. BEARING           | 6. SLAT         |
| 2. BARREL            | 7. MANUAL CHAIN |
| 3. SHUTTER HOOD      | 8. PUSH BUTTON  |
| 4. MOTOR             | 9. GUIDE RAIL   |
| 5. TRANSMISSION GEAR | 10. BOTTOM BAR  |

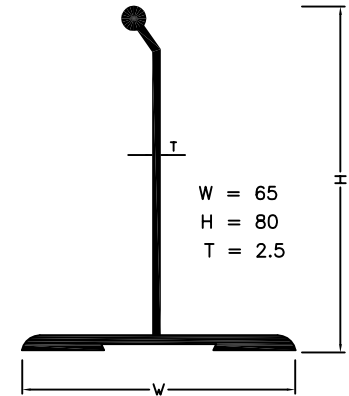


DETAIL I



D = 50  
W<sub>1</sub> = 50  
W<sub>2</sub> = 25  
T = 2.5

DETAIL II (GUIDE RAIL)

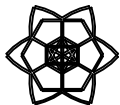


W = 65  
H = 80  
T = 2.5

DETAIL III (BOTTOM BAR)

PHYSICAL CHARACTERISTIC FOR POLYCARBONATE:  
ULTRA-VIOLET COATED, EXCELLENT IMPACT  
STRENGTH, HIGH TENSILE STRENGTH,  
NON-INFLAMMABLE AND ALLOW OUTDOOR  
EXPOSURE WITHOUT DEGRADATION OF CLARIFY

	H1	H2	W1	W2	M	X	Y	H3
DIMENSION					100 - 150	650 - 760	500 - 600	1200



CHUNG TAI  
ROLLER SHUTTERS CO. LTD.  
UNIT 7, G/F, KIN FAT INDUSTRIAL CENTRE,  
KIN FAT ST., TIEN MUN, N.T.  
TEL: +852 2465 9323 FAX: +852 2456 1364  
E-mail: chungtai@netvigator.com

CHUNG TAI  
ROLLER SHUTTERS CO. LTD.  
UNIT 7, G/F, KIN FAT INDUSTRIAL CENTRE,  
KIN FAT ST., TIEN MUN, N.T.  
TEL: +852 2465 9323 FAX: +852 2456 1364  
E-mail: chungtai@netvigator.com

DRAWING NO. : PC1200\_120\_MOTOR

DRAWING TITLE : COMPONENTS OF POLYCARBONATE & ALUMINIUM ALLOY SLAT CURTAIN MOTORIZED  
ROLLER SHUTTER (SLAT, GUIDE RAIL & BOTTOM BAR ALL MADE OF  
POLYCARBONATE & ALUMINIUM ALLOY)