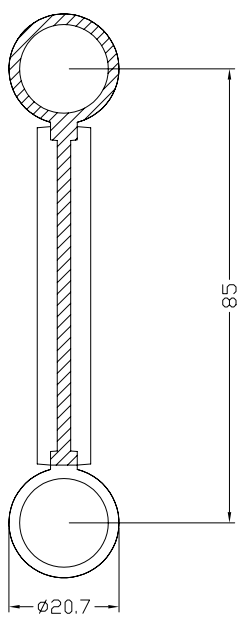


ISOMETRIC VIEW



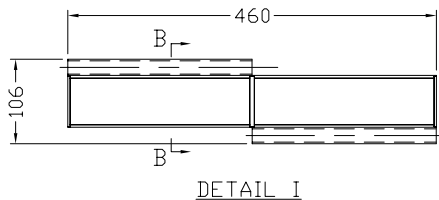
SECTION B-B

ELEVATION

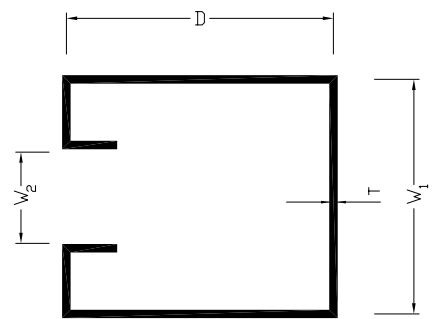
SECTION A-A

- 1. BEARING
- 2. BARREL
- 3. SHUTTER HOOD
- 4. MOTOR
- 5. TRANSMISSION GEAR
- 6. SLAT
- 7. MANUAL CHAIN
- 8. PUSH BUTTON
- 9. GUIDE RAIL
- 10. BOTTOM BAR

PHYSICAL CHARACTERISTIC FOR POLYCARBONATE:
 ULTRA-VIOLET, EXCELLENT IMPACT
 STRENGTH, HIGH TENSILE STRENGTH,
 NON-INFLAMMABLE AND ALLOW OUTDOOR
 EXPOSURE WITHOUT DEGRADATION OF CLARIFY

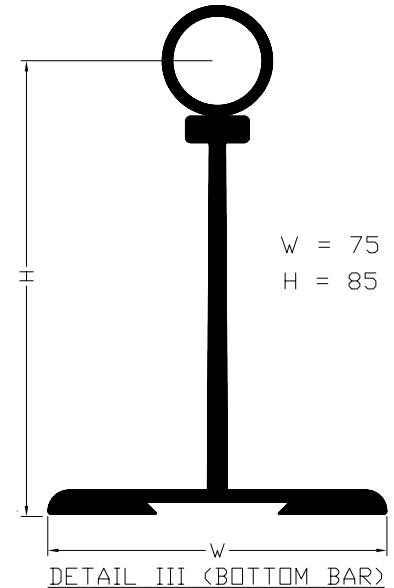


DETAIL I



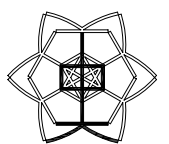
DETAIL II (GUIDE RAIL)

- D = 50
- W₁ = 50
- W₂ = 25
- T = 1.2



DETAIL III (BOTTOM BAR)

	H1	H2	W1	W2	M	X	Y	H3
DIMENSION	2130	2580	2130	2230	100 - 150	630	450	1200



CHUNG TAI
 ROLLER SHUTTERS CO. LTD.
 UNIT 7, G/F, KIN FAT INDUSTRIAL CENTRE,
 KIN FAT ST., TUEN MUN, N.T.
 TEL: +852 2465 9323 FAX: +852 2456 1364
 E-mail: chungtai@netvigator.com

DRAWING NO. : CLEARSEAL-MOTOR

DRAWING TITLE : COMPONENTS OF POLYCARBONATE, STAINLESS
 STEEL (GRADE 316) PIPE SLAT CURTAIN & ALUMINIUM
 ALLOY BOTTOM BAR STAINLESS STEEL (GRADE 316)
 GUIDE RAIL ROLLER SHUTTER