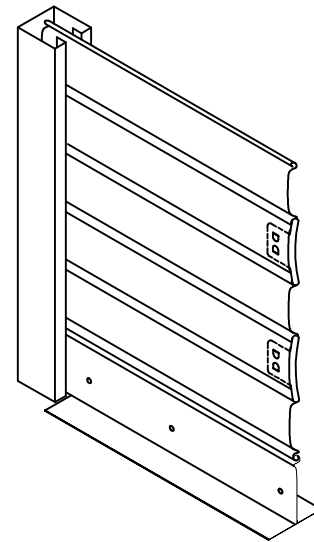
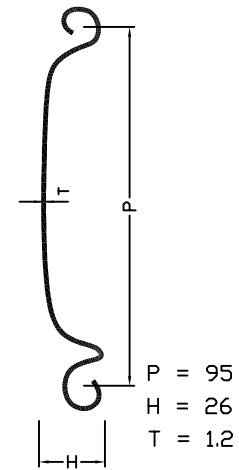


ELEVATION

SECTION A-A

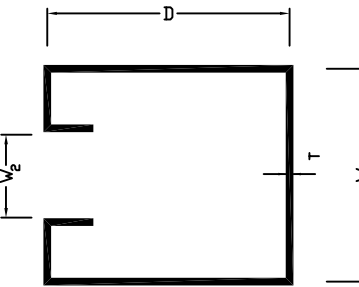


ISOMETRIC VIEW



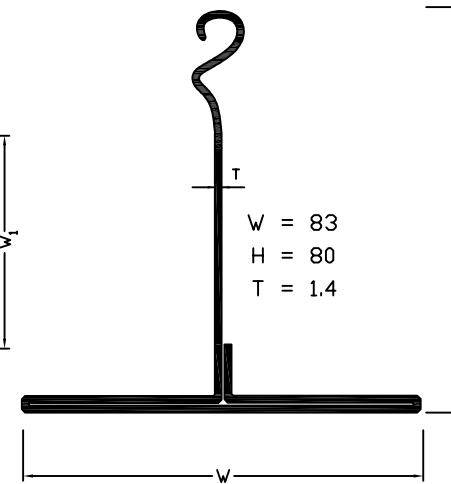
DETAIL I (SLAT)

P = 95
H = 26
T = 1.2



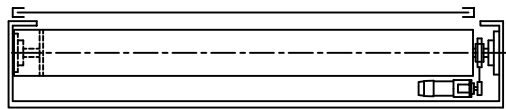
DETAIL II (GUIDE RAIL)

D = 70
W₁ = 65
W₂ = 32
T = 1.5



DETAIL III (BOTTOM BAR)

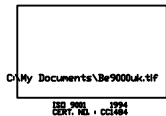
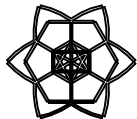
W = 83
H = 80
T = 1.4



PLAN

1. BEARING
2. BARREL
3. SHUTTER HOOD
4. MOTOR
5. TRANSMISSION GEAR
6. SLAT
7. MANUAL CHAIN
8. PUSH BUTTON
9. GUIDE RAIL
10. BOTTOM BAR

DIMENSION	H1	H2	W1	W2	M	X	Y	H3
					100 - 150	650 - 760	500 - 600	1200



CHUNG TAI
ROLLER SHUTTERS CO., LTD.
UNIT 7, G/F, KIN FAT INDUSTRIAL CENTRE,
KIN FAT ST., TUEN MUN, N.T.
TEL: +852 2465 9323 FAX: +852 2456 1364
E-mail: chungtai@netvigator.com

DRAWING NO. : GS100F-MOTOR

DRAWING TITLE : COMPONENTS OF GALVANIZED MILD STEEL SLAT CURTAIN MOTORIZED ROLLER SHUTTER (SLAT, GUIDE RAIL & BOTTOM BAR ALL MADE OF HOT DIP GALVANIZED MILD STEEL)