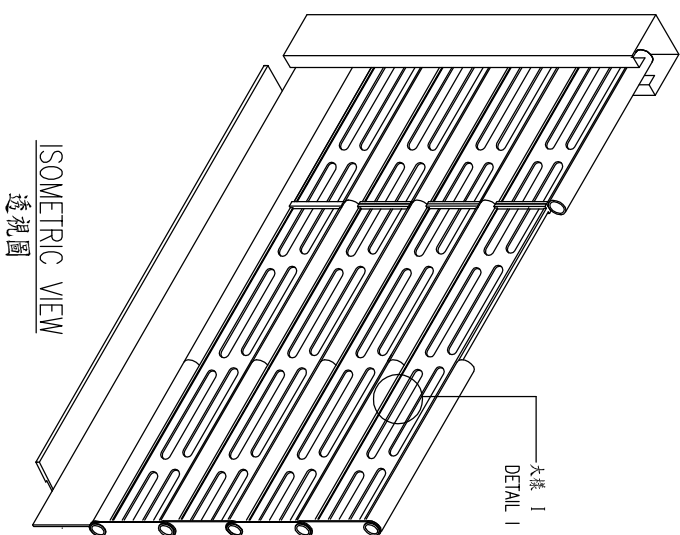


ELEVATION  
立視圖

SECTION A-A  
切面 A-A

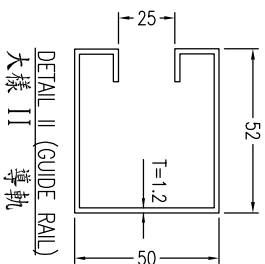
1. BEARING
2. BARREL
3. SHUTTER HOOD
4. MOTOR
5. TRANSMISSION GEAR
6. SLAT
7. MANUAL CHAIN
8. PUSH BUTTON
9. GUIDE RAIL
10. BOTTOM BAR

1. 軸承
2. 捲軸
3. 閘箱
4. 電機
5. 鍵輪
6. 簾頁
7. 手動鏈條
8. 按鈕
9. 導軌
10. 底座

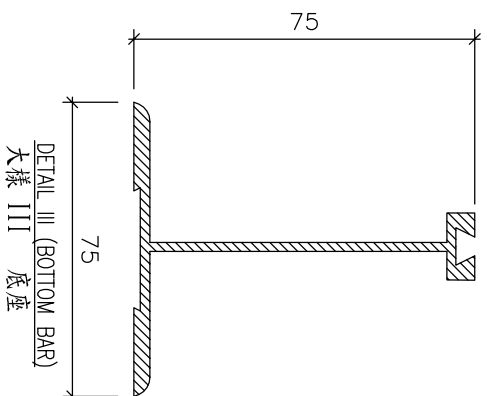


ISOMETRIC VIEW  
透視圖

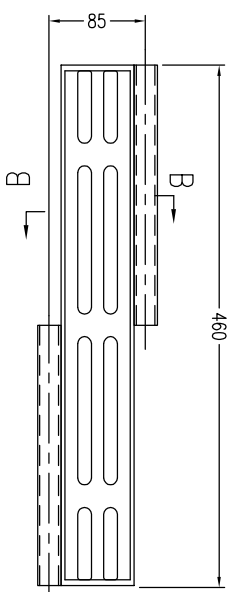
尺寸 DIMENSION	N	M	H3
	0-100	150-200	1200



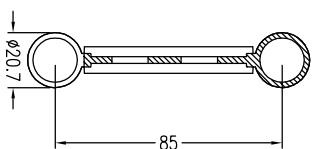
DETAIL II (GUIDE RAIL)  
大樣 II 導軌



DETAIL III (BOTTOM BAR)  
大樣 III 底座

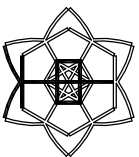


DETAIL I  
大樣 I



SECTION B-B  
切面 B-B

CHUNG TAI  
ROLLER SHUTTERS CO., LTD.  
UNIT 7, 6/F, KIN FAT INDUSTRIAL CENTRE,  
KIN FAT ST., TUEN MUN, N.T.  
TEL: +852 2465 9323 FAX: +852 2456 1364  
E-mail: info@chungtai-rs.com.hk



DRAWING NO. :  
DRAWING TITLE :

CSIs\_MOTOR

COMPONENTS OF CLEARSEAL IIS (POLYCARBONATE;TRANSPARENT)

MOTOR OPERATED SECURITY ROLLER SHUTTER

雅仕牌 IIS (聚碳酸酯;透視) 電動開關安防閉組件圖